

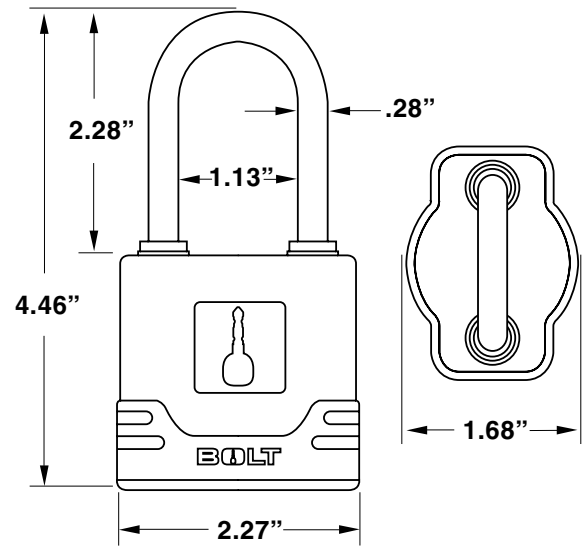
BOLT™

BREAKTHROUGH ONE-KEY LOCK TECHNOLOGY

LOCK SPECIFICATIONS

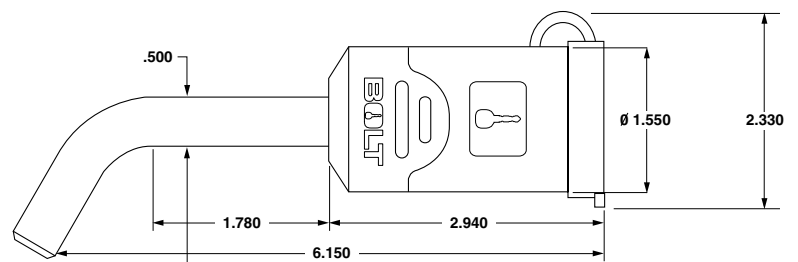
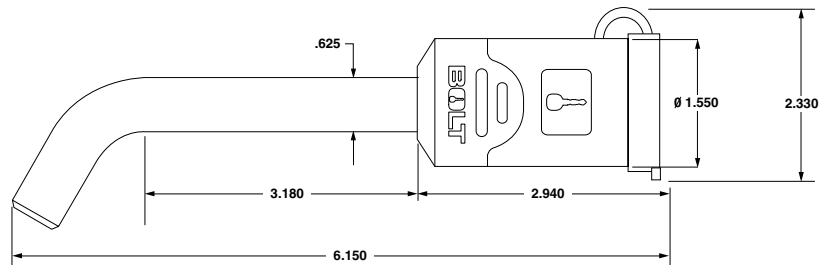
PADLOCK

- 9/32" Zinc/Nickel Plated Hardened SAE 8620 Steel Shackle with 2" Clearance
- Automotive Grade Stainless Steel Lock Shutter Keeps Out Weather, Debris
- 6 Plate Tumbler Sidebar Prevents Picking and Bumping
- Rugged Jacket Protects Your Gear



RECEIVER LOCK

- Auto-Return Spring Automatically Locks When Key is Removed
- Solid Stainless Steel Pin for Durability
- 6 Plate Tumbler Sidebar Prevents Picking and Bumping
- Automotive Grade Stainless Steel Lock Shutter Keeps Out Weather, Debris
- Rugged Jacket Protects Your Gear

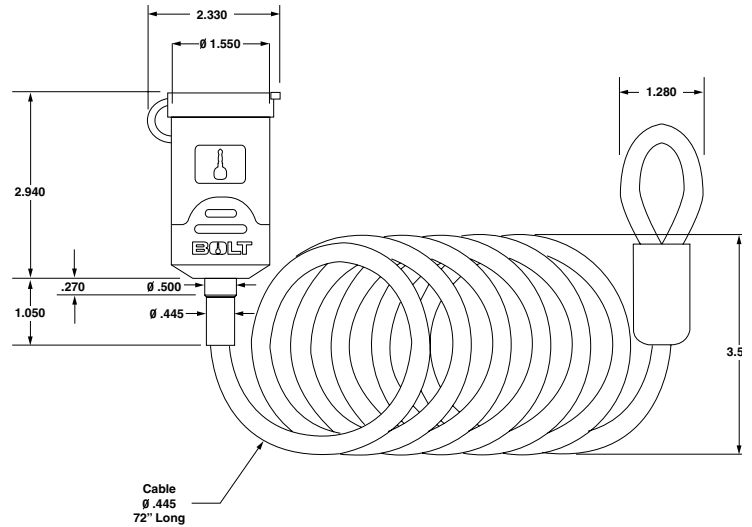


1/2" Diameter Pin For Class II Receivers (1.5" Square Receiver)

5/8" Diameter Pin For Class III & IV Receivers (2" Square Receivers)

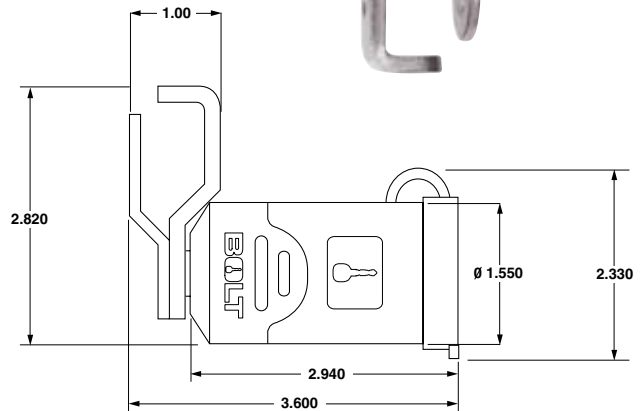
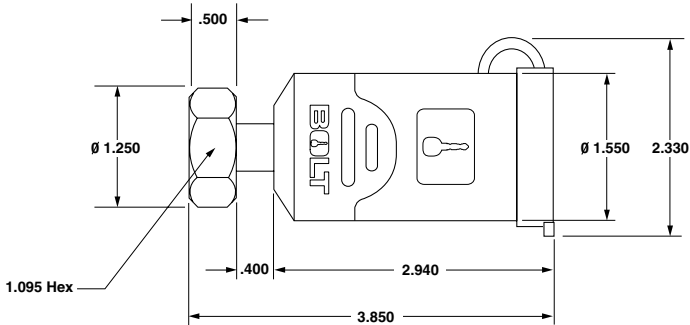
CABLE LOCK

- 6' x 1/4" Coiled Cable with 1/16" Black Vinyl Coating
- Pin and Loop for Flexible Lengths
- Automotive Grade Stainless Steel Lock Shutter Keeps Out Weather, Debris
- Auto-Return Spring Automatically Locks When Key is Removed
- 6 Plate Tumbler Sidebar Prevents Picking and Bumping



MOTORCYCLE WHEEL LOCK & SPARE TIRE LOCK

- 6 Plate Tumbler Sidebar Prevents Picking And Bumping
- Automotive Grade Stainless Steel Lock Shutter Keeps Out Weather, Debris
- Rugged Jacket Protects Your Gear
- Electroless Nickel Plated Carbon Steel Pin or Shaft Assembly and Shield For Strength And Durability
- Auto-Return Spring Automatically Locks When Key is Removed (Excludes Spare Tire Lock)



3333 West Good Hope Road | Milwaukee, WI 53209 | 877.251.8798
www.BOLTLOCK.com

FOR SPECIFIC MODEL COMPATIBILITY AND OTHER INFORMATION, VISIT BOLTLOCK.COM
©2010 STRATTEC SECURITY CORPORATION. All Rights Reserved. AS6918 06/10

STRATTECTM
World Leaders in Auto Security