

# BOLT®

BREAKTHROUGH ONE-KEY LOCK TECHNOLOGY

## JL HOOD LOCK KIT

FOR SPANISH AND FRENCH TRANSLATIONS GO TO:  
[HTTP://WWW.BOLTLOCK.COM/ABOUT-STRATTEC/BOLT-LITERATURE](http://www.boltlock.com/about-strattec/bolt-literature)

LOS TRADUCTORES AL ESPAÑOL Y FRANCÉS PUEDEN VISITAR:  
[HTTP://WWW.BOLTLOCK.COM/ABOUT-STRATTEC/BOLT-LITERATURE](http://www.boltlock.com/about-strattec/bolt-literature)

POUR LES TRADUCTIONS EN ESPAGNOL ET EN FRANÇAIS, ALLEZ À :  
[HTTP://WWW.BOLTLOCK.COM/ABOUT-STRATTEC/BOLT-LITERATURE](http://www.boltlock.com/about-strattec/bolt-literature)

### Instructions for BOLT® Lock coding

**STOP!** Does your current grille mesh pattern match the one provided?



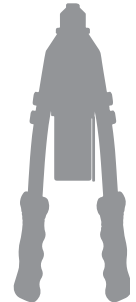
If not, scan the QR code to find the appropriate pattern to modify your grille.



Torx T20  
Screwdriver



Flathead  
Screwdriver



Rivet Gun



Code lock cylinder before  
installing JL Hood Lock in Jeep  
JL Hood Lock



JL Grille Insert

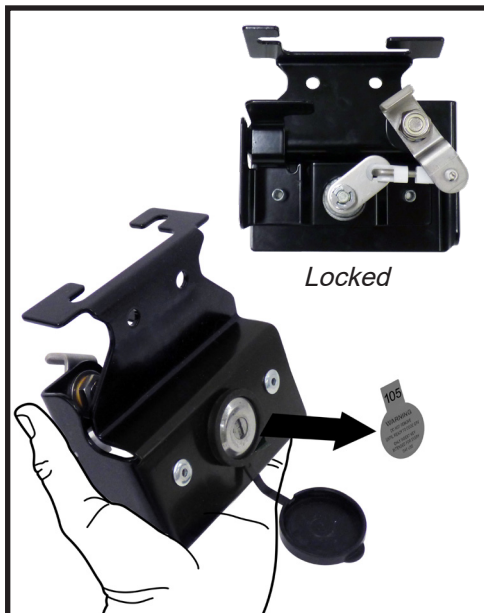


Plastic  
Push Pins

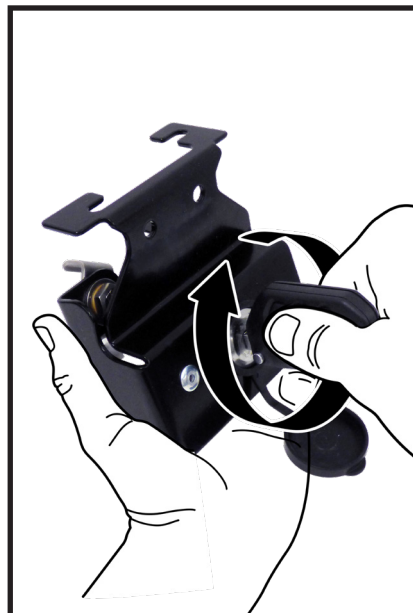


1/4" Rivets

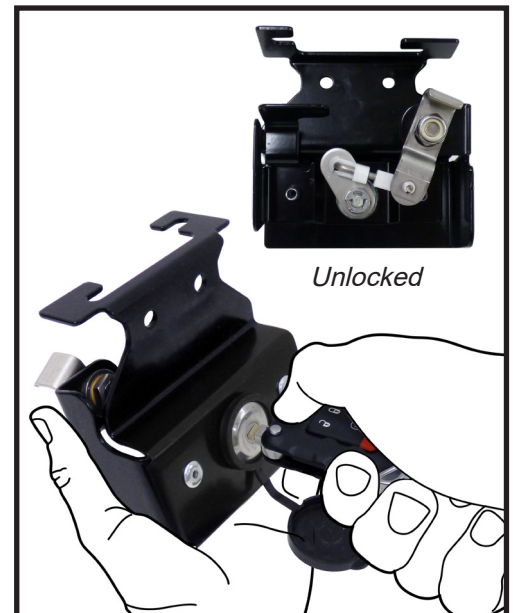
### Instructions for BOLT® Lock coding



1. Read and remove warning sticker  
- remove key from key chain  
- keep hand/fingers away from pivoting lever while coding.



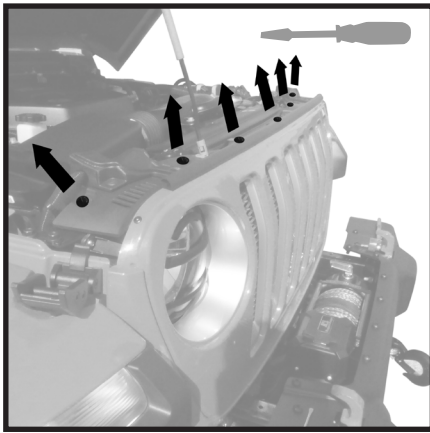
2. **Do not pull up/down on key while coding.** While maintaining full key insertion, turn the key clockwise until it stops (approx. 270 degrees) - the lock is now coded to your key.



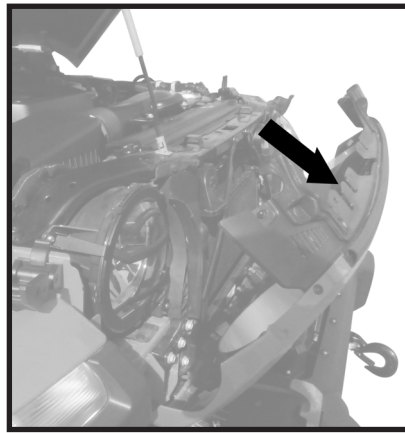
3. Cycle lock 3x to ensure that the lock was properly coded. Rotate clockwise, remove key; the lock is now in the unlocked position - keep lock in this state during installation.

4737932AB

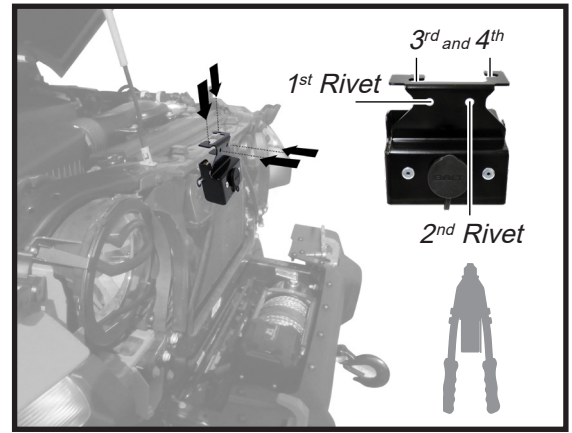
## BOLT® Lock installation



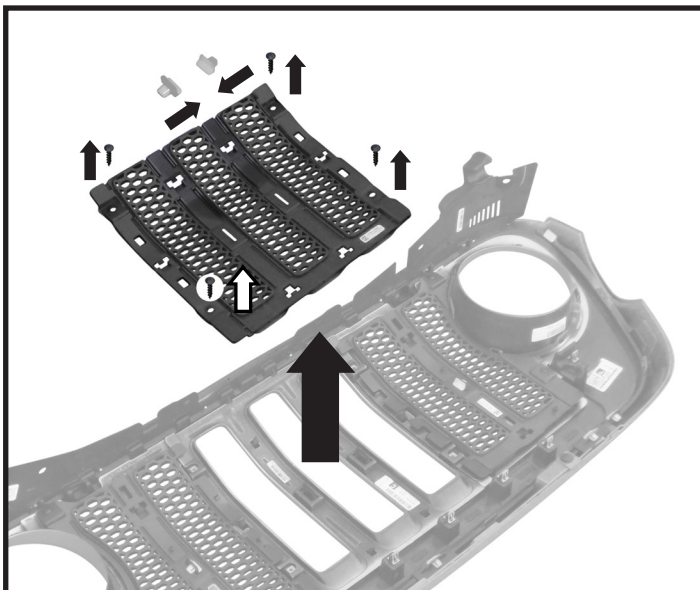
4. **STOP** - Code lock cylinder before installing JL Hood Lock in Jeep. Open hood; using a flat head screwdriver, remove the 6 plastic push pins from the top of the grille.



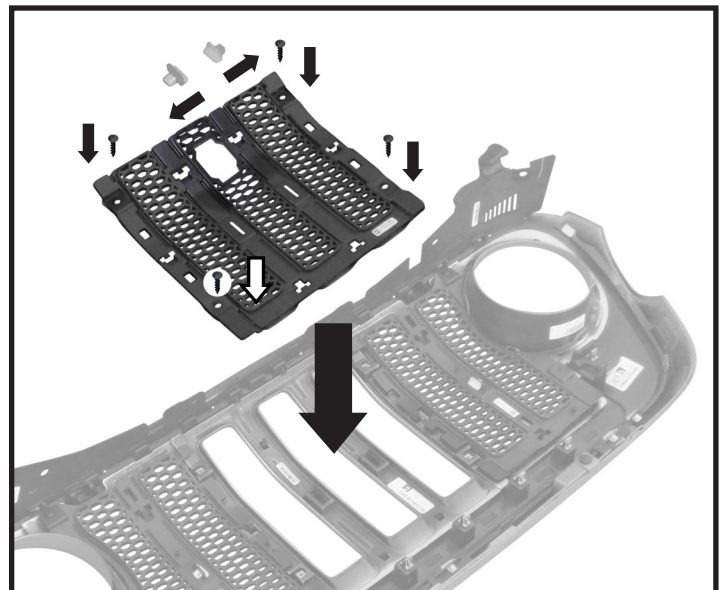
5. Pull grille forward and downward to unhinge the snaps along the bottom.



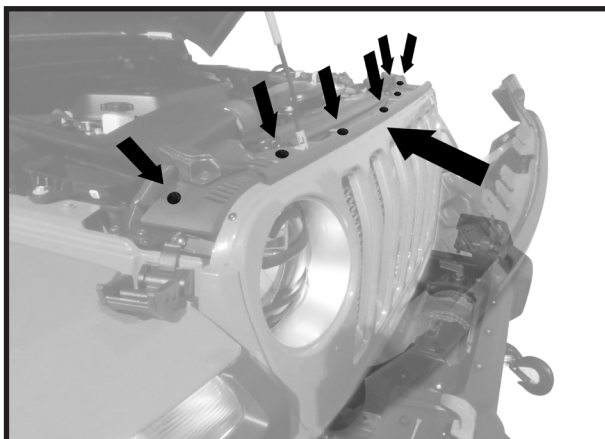
6. Line up the mounting holes in JL Hood Lock with existing holes on the vehicle frame - using the rivet gun, install the 4 rivets in place per sequence above. Close and open the hood to verify install before assembling grille.



7. Lay the grille down on a protected surface (cardboard) with the interior facing up. Using a torx screw driver, remove the 4 screws and 2 plastic clips, and remove the middle section of the Grille Insert.



8. Position the new Grille Insert in place and secure using the same 4 screws and 2 plastic clips (included).



9. Position the grille back into place using 6 new push pins provided.



10. Close and latch hood shut, insert key, turn counter clockwise to lock the hood, and remove your key.