

BOLT[®]

BREAKTHROUGH ONE-KEY LOCK TECHNOLOGY

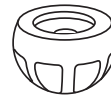
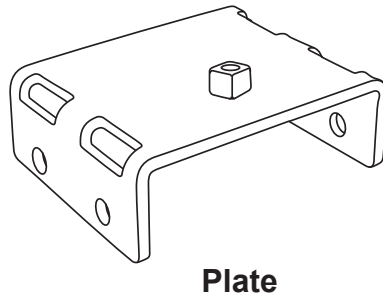
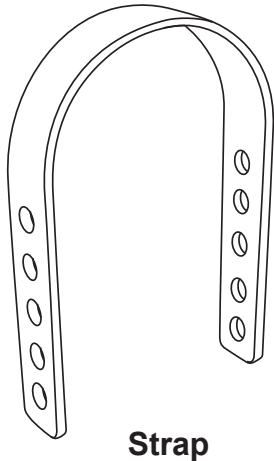
OFF VEHICLE COUPLER LOCK

FOR SPANISH AND FRENCH TRANSLATIONS GO TO:
[HTTP://WWW.BOLTLOCK.COM/ABOUT-STRATTEC/BOLT-LITERATURE](http://www.boltlock.com/about-strattec/bolt-literature)

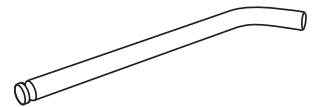
LOS TRADUCTORES AL ESPAÑOL Y FRANCÉS PUEDEN VISITAR:
[HTTP://WWW.BOLTLOCK.COM/ABOUT-STRATTEC/BOLT-LITERATURE](http://www.boltlock.com/about-strattec/bolt-literature)

POUR LES TRADUCTIONS EN ESPAGNOL ET EN FRANÇAIS, ALLEZ À :
[HTTP://WWW.BOLTLOCK.COM/ABOUT-STRATTEC/BOLT-LITERATURE](http://www.boltlock.com/about-strattec/bolt-literature)

Items:



1 7/8"
Ball



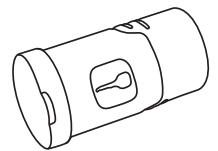
Pin



2 5/16"
Ball



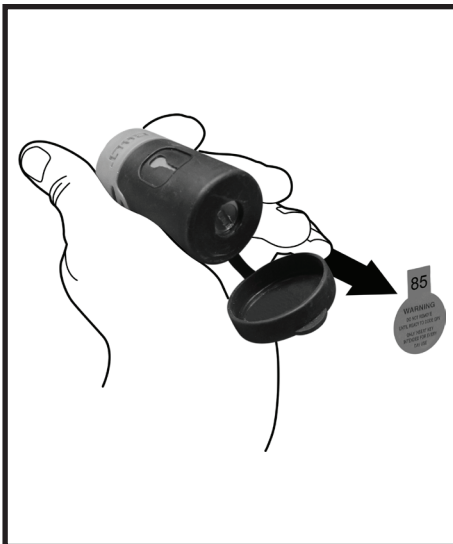
Bolt
1/2" - 20 x
1 3/4"



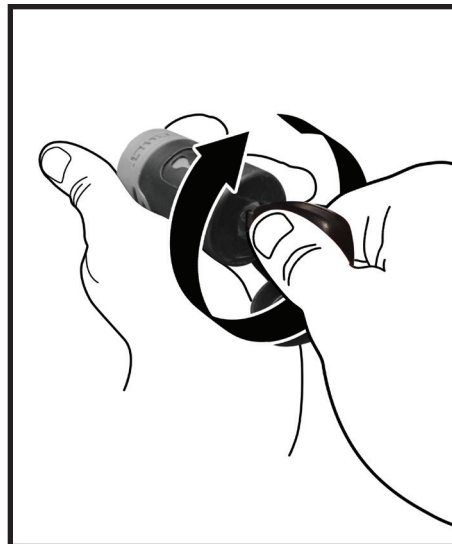
BOLT[®]
Lock

Step 1:

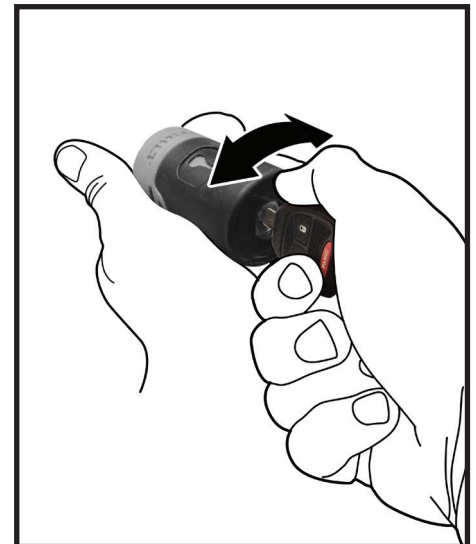
Instructions for Coding the BOLT[®] Lock to your ignition key:



1.1 Read and remove warning sticker - remove key from key chain

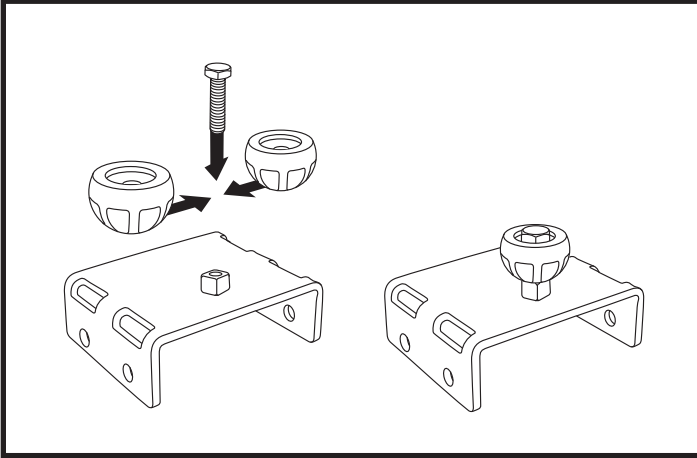


1.2 (Insert key - Do not pull up/down on key while coding) While maintaining full key insertion, turn the key clockwise until it stops



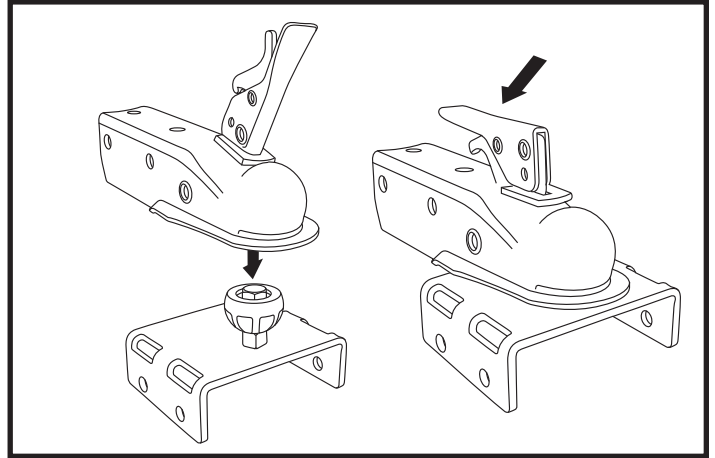
1.3 The lock is now successfully coded - Cycle Lock 3x to ensure that the lock was properly coded

Step 2: Setting up your Off Vehicle Coupler Lock

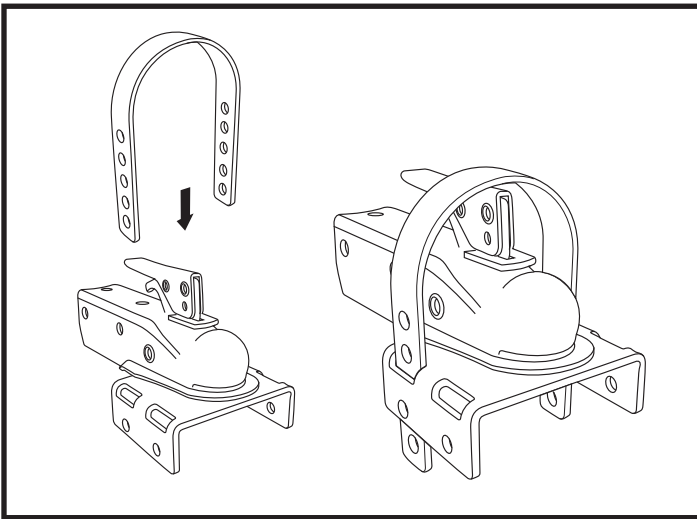


- 2.1 Select the correct ball size for your trailer coupler
- 2.2 Place ball on plate over the nut
- 2.3 Tighten bolt using a 3/4" wrench

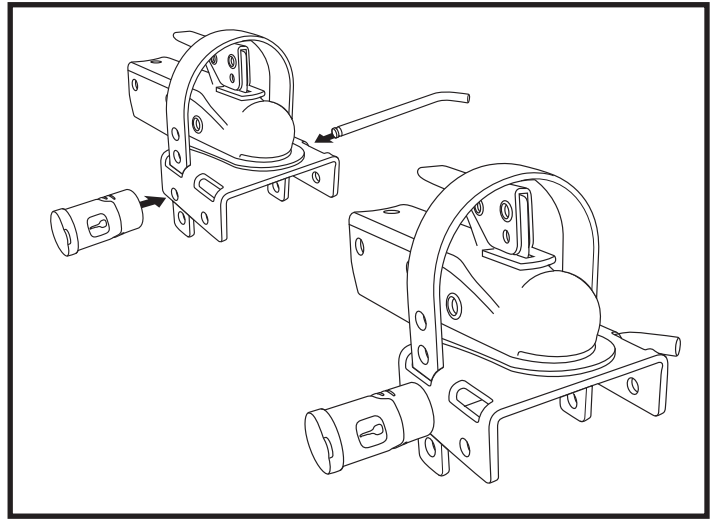
Step 3: Using your Off Vehicle Coupler Lock



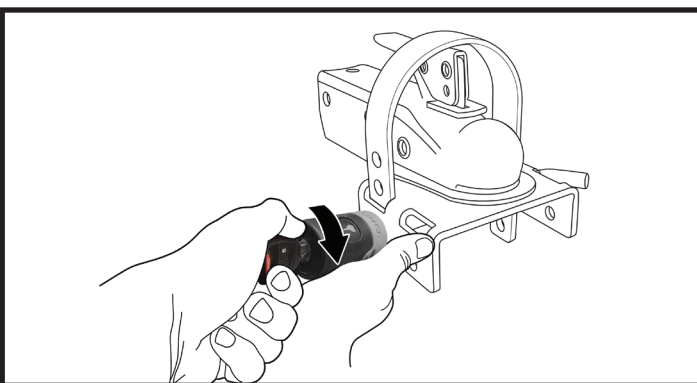
- 3.1 Place plate with ball attached in your coupler and latch the coupler



- 3.2 Place strap over coupler and through either the forward or rear slots of the plate (depending on your coupler style)
- 3.3 Adjust strap height until it is snug with the coupler, and a set of holes is in line with the plate



- 3.4 Place pin through the plate and the strap
- 3.5 Secure the pin with the BOLT® Lock
- 3.6 Make sure the BOLT® Lock is fully inserted



- 4.1 Use your ignition key to unlock when you need it!

For more information go to:
BOLTLock.com